

# SPL Coat™ Laminin – Cell Culture Plate

(#39306/39312/39324/39348/39396)

## 1. Description

SPL Life Sciences provides a wide range (6, 12, 24, 48, 96 well) of Laminin coated cell culture plates with high quality. All Laminin coated plates are produced with optically clear and high quality polymers for microscopy.

## 2. Features

- ❖ Source: Engelbreth-Holm-Swarm mouse tumor
- ❖ No washing required before use
- ❖ Shelf life: 3 months at 2 ~ 8°C (Do not freeze)

## 3. Product Range

Cat.No.	Plate Type	External Dimension w x l x h (mm)	Well Dimension d x h (mm)	Growth Area (cm <sup>2</sup> )	Working Volume (ml)	Packaging
39306	6well	85.40 x 127.60 x 20.20	35.00 x 17.50	9.60	3.00	1 / 5
39312	12well	85.40 x 127.60 x 20.20	21.90 x 17.50	3.80	2.00	1 / 5
39324	24well	85.40 x 127.60 x 20.20	15.50 x 17.50	1.90	1.00	1 / 5
39348	48well	85.40 x 127.60 x 20.20	9.75 x 17.50	0.75	0.50	1 / 5
39396	96well	85.40 x 127.60 x 14.40	6.50 x 10.80	0.33	0.20	1 / 5

## 4. Certification

SPL Life Sciences hereby certifies that the product identified above, inspected to be in compliance with product quality specification and requirements as documented in our ISO 9001:2008 Quality Management System (K-QA-Q031478) in Korea.

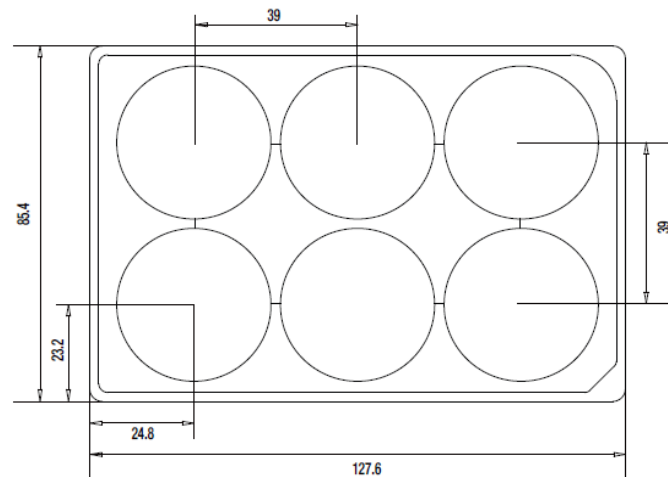
## 5. Specifications & Technical Drawing

(1) 6well Plate (#39006)

- Specifications

Dimensions		Material (Resin)	Packaging
Lid	Body		
Length: 127.10 mm	Length: 127.60 mm	Crystal-grade polystyrene (PS)	<ul style="list-style-type: none"> <li>▪ Pieces/Sleeve: 1</li> <li>▪ Pieces/Case: 5</li> </ul>
Width: 84.90 mm	Width: 85.40 mm		
Height: 10.00 mm	Height: 20.20 mm		
	Well Dimension: 35.00 mm		
Volume per Well: 3.00 ml			
Growth Area: 9.60 cm <sup>2</sup>			

- Technical Drawing

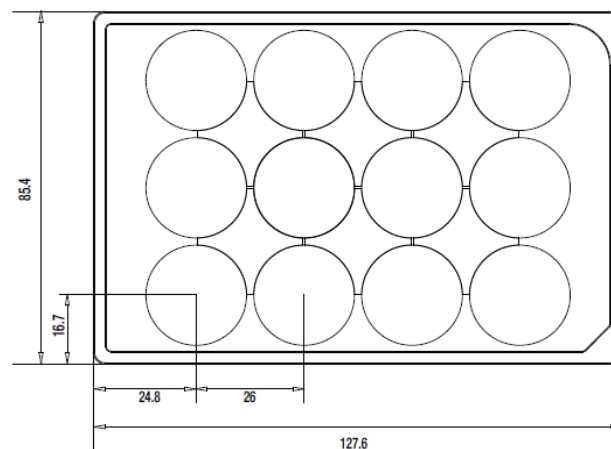


(2) 12well Plate (# 39012)

- Specifications

Dimensions		Material (Resin)	Packaging
Lid	Dish		
Length: 127.10 mm	Length: 127.60 mm	Crystal-grade polystyrene (PS)	<ul style="list-style-type: none"> <li>▪ Pieces/Sleeve: 1</li> <li>▪ Pieces/Case: 5</li> </ul>
Width: 84.90 mm	Width: 85.40 mm		
Height: 10.00 mm	Height: 20.20 mm		
	Well Dimension: 22.10 mm		
Volume per Well: 2.00 ml			
Growth Area: 3.80 cm <sup>2</sup>			

- Technical Drawing

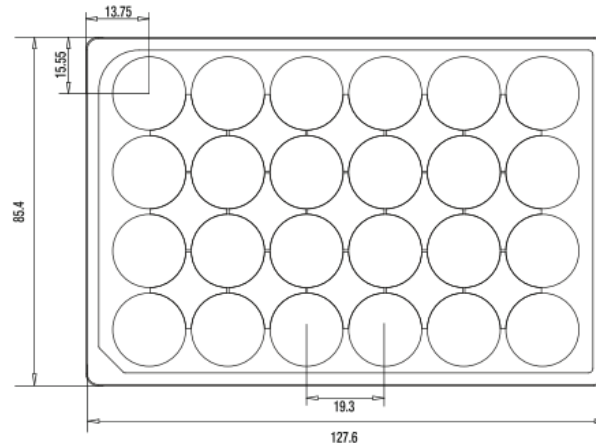


## (3) 24well Plate (# 39024)

## - Specifications

Dimensions		Material (Resin)	Packaging
Lid	Dish		
Length: 127.10 mm Width: 84.90 mm Height: 10.00 mm	Length: 127.60 mm Width: 85.40 mm Height: 20.20 mm Well Dimension: 15.60 mm	Crystal-grade polystyrene (PS)	<ul style="list-style-type: none"> <li>▪ Pieces/Sleeve: 1</li> <li>▪ Pieces/Case: 5</li> </ul>
Volume per Well: 1.00 ml Growth Area: 1.90 cm <sup>2</sup>			

## - Technical Drawing

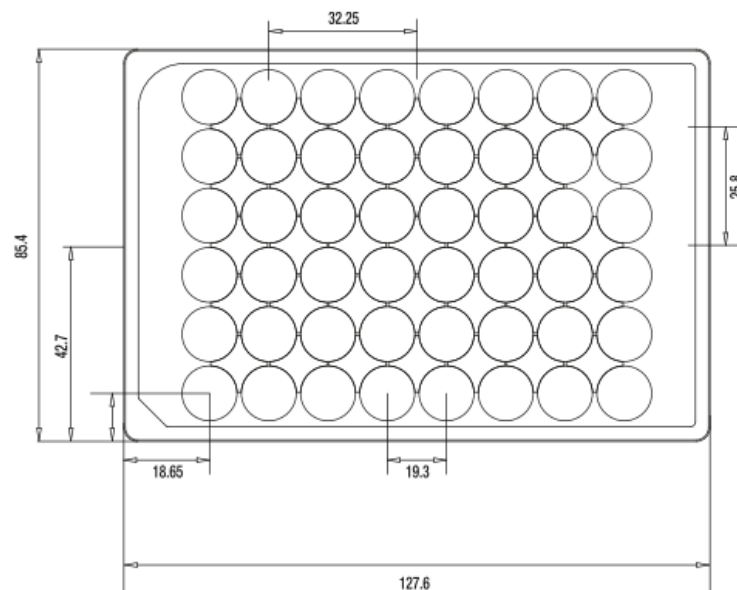


## (4) 48well Plate (# 39048)

## - Specifications

Dimensions		Material (Resin)	Packaging
Lid	Dish		
Length: 127.10 mm Width: 84.90 mm Height: 10.00 mm	Length: 127.60 mm Width: 85.40 mm Height: 20.20 mm Well Dimension: 9.75 mm	Crystal-grade polystyrene (PS)	<ul style="list-style-type: none"> <li>▪ Pieces/Sleeve: 1</li> <li>▪ Pieces/Case: 5</li> </ul>
Volume per Well: 0.50 ml Growth Area: 0.75 cm <sup>2</sup>			

## - Technical Drawing



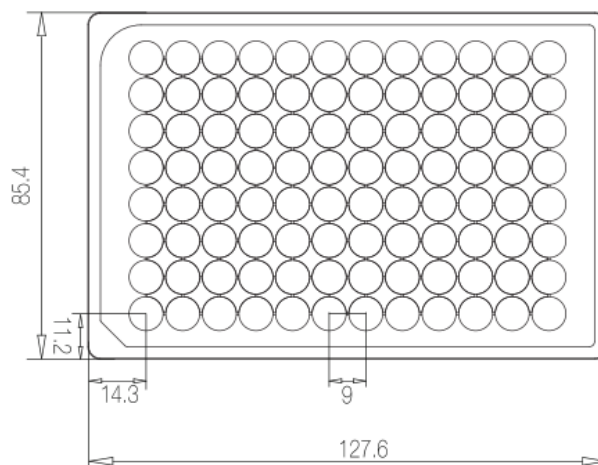
## (5) 96well Plate (# 39096)

## - Specifications

Dimensions		Material (Resin)	Packaging
Lid	Dish		
Length: 127.10 mm	Length: 127.60 mm	Crystal-grade polystyrene (PS)	<ul style="list-style-type: none"> <li>▪ Pieces/Sleeve: 1</li> <li>▪ Pieces/Case: 5</li> </ul>
Width: 84.90 mm	Width: 85.40 mm		
Height: 10.00 mm	Height: 20.20 mm		
	Well Dimension: 6.40 mm		
Volume per Well: 0.20 ml	Growth Area: 0.33 cm <sup>2</sup>		

## - Technical Drawing

Plate



[www.spllifesciences.com](http://www.spllifesciences.com)

For technical assistance, contact SPL R&D Center at:

Tel: +82-31-533-4800; Fax: +82-31-533-1430; e-mail: [spl@ispl.co.kr](mailto:spl@ispl.co.kr)

To place an order, contact your local distributor or

Tel: +82-31-533-4800; Fax: +82-31-533-1430; e-mail: [business@ispl.co.kr](mailto:business@ispl.co.kr)

SPL-TDS-CCP-LAM

*For Research Use Only. Not intended for use in diagnostic or therapeutic procedures.*  
© SPL Life Sciences Co., Ltd., Version 6, June 27<sup>st</sup>, 2016